

# ALFA SLOT<sup>®</sup>



**Surface Drainage Solutions**  
Pool Decks • Concrete Decks • Patios



## Alfa Slot®

Alfa Slot is a light duty trench system manufactured from PVC pipe with chemically resistant polymer concrete slot drain. Alfa Slot is available in 1/4" and 1/2" slot openings. Polymer concrete saddles and PVC connectors are used for connection points. Channels are aligned with tongue-in-groove connections molded into each end.

### Alfa Slot Features

- Fast and easy to install with light weight sections
- Available in 1 & 2 meter Lengths
- Available in 4" and 6" PVC pipe with section connectors
- Minimizes exposed hard surfaces and aids in surface drainage
- A.D.A Compliant 1/4" and 1/2" slot
- Engineered for strength, durability and longevity
- Clean lines and unmatched finished appearance
- Fits well within even the tightest budget
- Catch basins are available with system



Alfa Slot is an architecturally pleasing, low profile system that has superior flow compared to other competitors in its class. The larger pipe volume under the slot drain keeps debris that passes through its opening moving to the outlet. The large pipe also ensures plenty of flow.

Typical applications, swimming pool decks, shower stalls, sidewalks, pavilions, plazas, and other places where a nearly invisible drain is advantageous.



### Patios and Pools

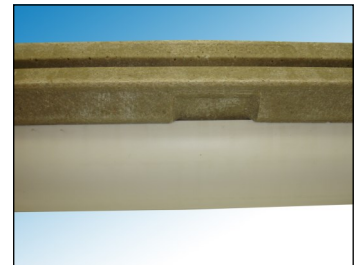
Alfa Slot with its narrow profile is perfect for patio, pools and other pedestrian areas that require additional drainage. Alfa Slot polymer concrete top will withstand the harsh environments that often destroy plastic systems.



### ADA Compliant

Alfa Slot has a polymer concrete top with a slot opening of 1/4" or 1/2" making it one of the few ADA compliant slot drains on the market. Also optional Heel Proof stainless steel covers are available. Clean lines and unmatched finishing capabilities make Alfa Slot a smart and cost effective solution for a wide variety of drainage problems.

Polymer concrete channels are manufactured with concrete anchors molded into each side of the channel. Anchors add to securing Alfa Slot into the slab. There are three anchors on each side of the center slot (per meter).



Polymer concrete end caps are manufactured to fit the PVC pipe and will interlock, align and secure Alfa Channel sections. End caps will also support the end of Alfa Slot run at the same elevation as the saddles. End caps seal the end of the PVC pipe keeping concrete from filling the open end.



Polymer concrete saddles are used for fast and easy installation while assisting in leveling the system. Saddles are used at each joint to align and join sections together. Saddles flare out at the bottom for anchoring into the concrete slab.



### **Standard Slot: 1/2" Inch Opening**

**Pre-fabricated Slot Drain** - System of 78.38" (2 meter) long and 39.19" (1 meter) long slot drain channels of polymer concrete and 4" or 6" ID schedule 40 PVC pipe, in-line polymer concrete catch basins, and accessories. Slot width shall not exceed 1/2", in compliance with ADA requirements. Over all unit depth is 5.93" (150mm).

**Coupler:** Sections shall be coupled together with PVC Slip coupler.

**Catch Basin:** #2900AS fabricated of polymer concrete.

- a. Width: 6" (150mm) OD, 4" (100mm) ID
- b. Depth: 22.1"
- c. Length: 19.7" (1/2 meter)
- d. Cover: polymer concrete, 15/32" (12mm) slot, removable.
- e. Locking device for cover.

### **Optional: 1/4" Slot Openings**

**Pre-fabricated Slot Drain** - System of 78.38" (2 meter) long and 39.19" (1 meter) long slot drain channels of polymer concrete and 4" or 6" ID schedule 40 PVC pipe, in-line polymer concrete catch basins, and accessories. Slot width shall not exceed 1/4", in compliance with Heel Proof and ADA requirements. Over all unit depth is 5.93" (150mm).

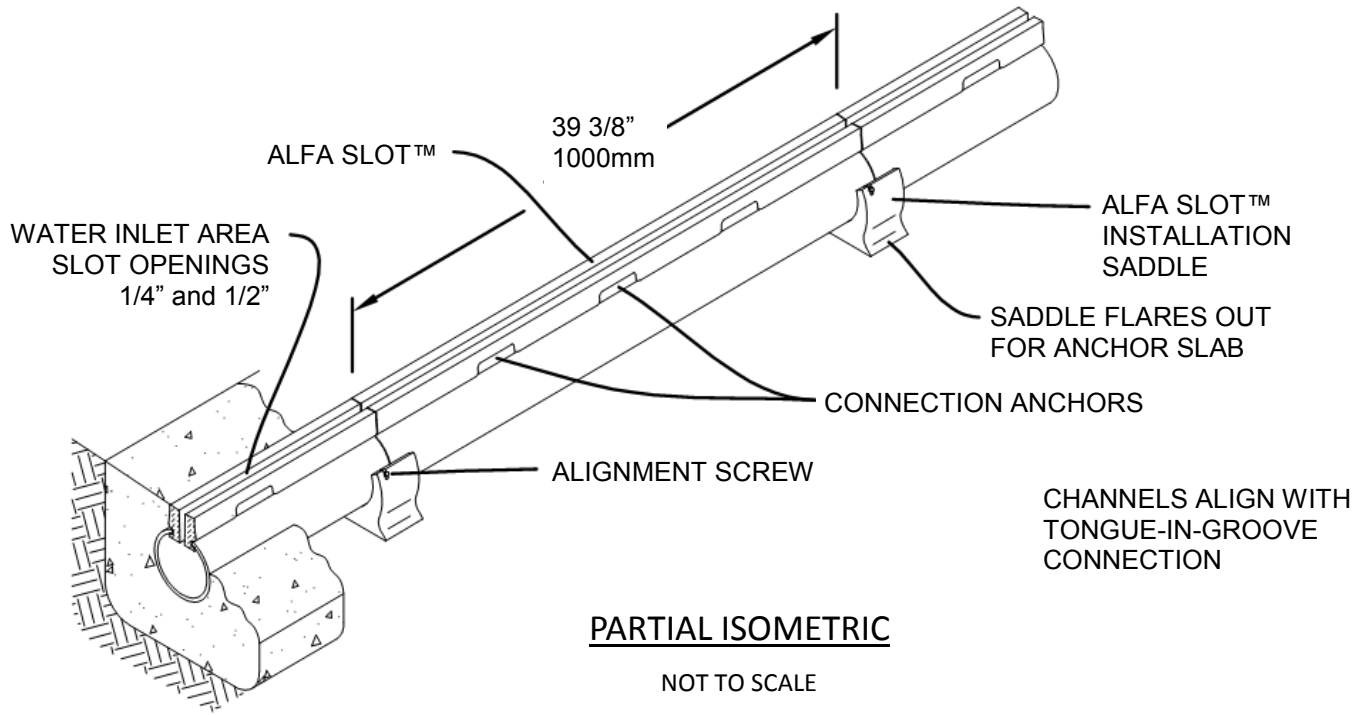
**Coupler:** Sections shall be coupled together with PVC Slip coupler, 3.73" minimum.

**Catch Basin:** #2900VEC fabricated of polymer concrete.

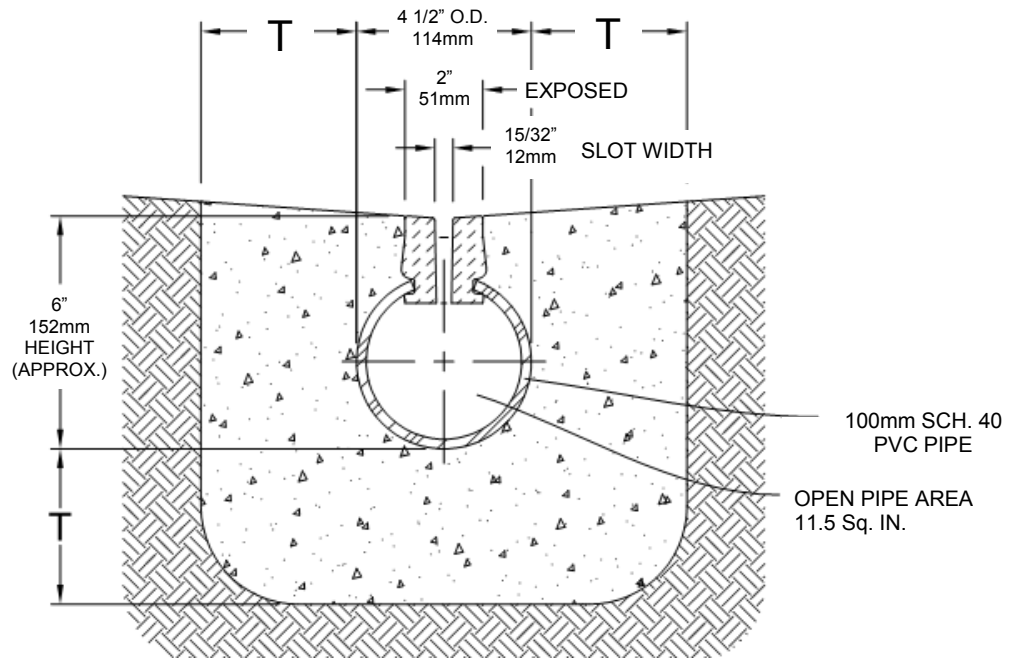
- a. Width: 6" (150mm) OD, 4" (100mm) ID
- b. Depth: 22.1"
- c. Length: 19.7" (1/2 meter)
- d. Cover: polymer concrete, 15/32" (12mm) slot, removable.
- e. Locking device for cover.

**Submittals:** A Certificate of Compliance in conformance with the provisions of these Standard Specifications shall be furnished to the Engineer.

**Specifications and CAD Drawings:** Can be found on the MultiDrain Website, ARCAT or Sweets



STRUCTURAL ENGINEERING  
SPECIFICATION:  
T = OR FLOOR SLAB THICKNESS  
OR 4" MIN. (100mm)



**MultiDrain®**  
We Drain Your Site, Not Your Budget!

**MultiDrain Systems, Inc.**  
1405 Industrial Dr. • Statesville, NC 28625  
P: (704) 508-1010 • (800) 433-1119 • F: (704) 508-1011  
www.multidrain.com  
md.info@multidrain.com

**EconoDrain®**

"DISCLAIMER: The customer and the customer's architects, engineers, consultants and other professionals are completely responsible for the selection, installation, and maintenance of any product purchased from MULTIDRAIN SYSTEMS, INC., and EXCEPT AS EXPRESSLY PROVIDED IN MULTIDRAIN'S STANDARD WARRANTIES, MULTIDRAIN MAKES NO WARRANTY, EXPRESS OR IMPLIED, AS TO THE SUITABILITY, DESIGN, MERCHANTABILITY, OR FITNESS OF THE PRODUCT FOR CUSTOMER'S APPLICATION. Copies of MultiDrain's standard warranties are available upon request.

MultiDrain Systems, Inc. Trade Mark Products: Alfa Channel®, Alfa Slot®, EconoDrain® and MultiDrain®  
These products are protected by one or more U.S. patents.

Copyright © Nov. 2014 MultiDrain Systems, Inc.

PUB: EDLIT - 11-14