

## STEEL FRAMES & EPS FORMS ARE STANDARD 2 METER LENGTHS

04.750	05.125	05.500	05.875	06.250	06.625	07.000	07.325	07.750	08.125	08.500	08.875	09.250	09.625
--------	--------	--------	--------	--------	--------	--------	--------	--------	--------	--------	--------	--------	--------

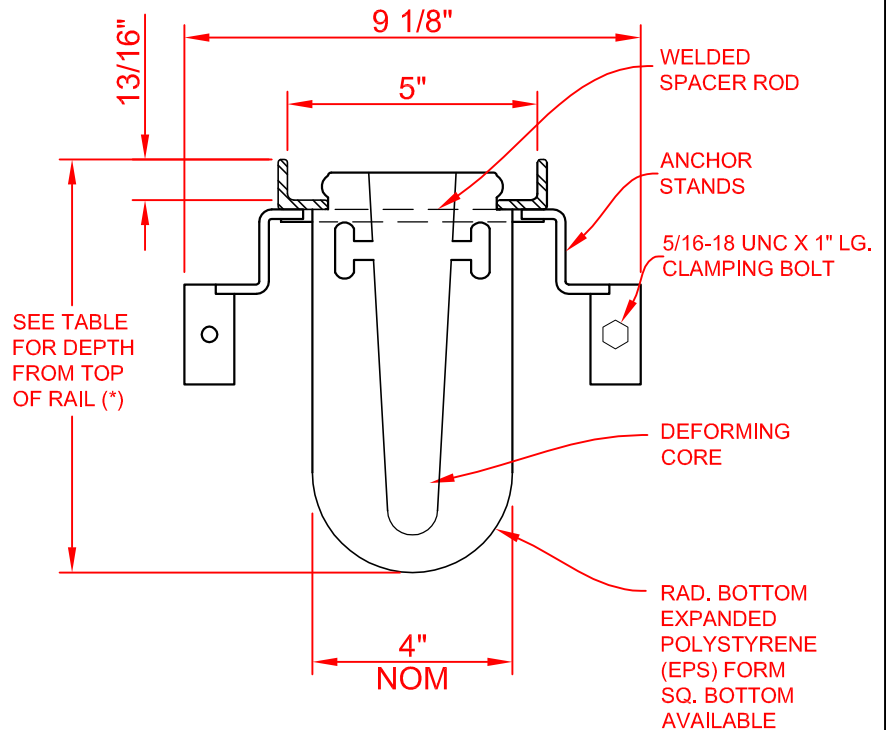
10.000	10.375	10.750	11.125	11.500	11.875	12.250	12.625	13.000	13.375	13.750	14.125	14.500	14.875
--------	--------	--------	--------	--------	--------	--------	--------	--------	--------	--------	--------	--------	--------

### SHALLOW EPS FORMS

15.250	15.625	16.000	16.375	16.750	17.125	17.500	17.875	18.250	18.625	19.000	19.375	19.750	20.125
--------	--------	--------	--------	--------	--------	--------	--------	--------	--------	--------	--------	--------	--------

20.500	20.875	21.250	21.625	22.000	22.375	22.750	23.125	23.500	23.875	24.250	24.625	25.000	25.375	25.750
--------	--------	--------	--------	--------	--------	--------	--------	--------	--------	--------	--------	--------	--------	--------

### DEEP EPS FORMS



**SECTION A-A**

**NOTES:**

1. INSTALLATION TO BE COMPLETED IN ACCORDANCE WITH MANUFACTURER'S SPECIFICATIONS AND INSTALLATION INSTRUCTIONS.
2. A TRENCH SHALL BE EXCAVATED A MINIMUM OF 12" WIDER THAN THE OVERALL WIDTH OF THE STEEL FRAME ( 6" MINIMUM ON EACH SIDE) AND A MINIMUM OF 6 INCHES DEEPER THAN THE OVERALL DEPTH OF THE ECONODRAIN EPS FORM.
3. DO NOT SCALE DRAWINGS.

Copyright © 2014 MultiDrain Systems, Inc.

	EPS FORM	DEPTH		FLOW GPM
		MIN	MAX	
<b>SHALLOW EPS FORMS</b>	04.750	4 3/8"	4 3/4"	87
	05.125	4 3/4"	5 1/8"	98
	05.500	5 1/8"	5 1/2"	109
	05.875	5 1/2"	5 7/8"	121
	06.250	5 7/8"	6 1/4"	132
	06.625	6 1/4"	6 5/8"	143
	07.000	6 5/8"	7"	155
	07.325	7"	7 3/8"	166
	07.750	7 3/8"	7 3/4"	177
	08.125	7 3/4"	8 1/8"	189
	08.500	8 1/8"	8 1/2"	200
	08.875	8 1/2"	8 7/8"	212
	09.250	8 7/8"	9 1/4"	223
	09.625	9 1/4"	9 5/8"	235
	10.000	9 5/8"	10"	246
	10.375	10"	10 3/8"	258
	10.750	10 3/8"	10 3/4"	269
	11.125	10 3/4"	11 1/8"	281
	11.500	11 1/8"	11 1/2"	292
	11.875	11 1/2"	11 7/8"	304
12.250	11 7/8"	12 1/4"	316	
12.625	12 1/4"	12 5/8"	327	
13.000	12 5/8"	13"	339	
13.375	13"	13 3/8"	350	
13.750	13 3/8"	13 3/4"	362	
14.125	13 3/4"	14 1/8"	374	
14.500	14 1/8"	14 1/2"	385	
14.875	14 1/2"	14 7/8"	397	
<b>DEEP EPS FORMS</b>	15.250	14 7/8"	15 1/4"	408
	15.625	15 1/4"	15 5/8"	420
	16.000	15 5/8"	16"	432
	16.375	16"	16 3/8"	443
	16.750	16 3/8"	16 3/4"	445
	17.125	16 3/4"	17 1/8"	467
	17.500	17 1/8"	17 1/2"	478
	17.875	17 1/2"	17 7/8"	490
	18.250	17 7/8"	18 1/4"	501
	18.625	18 1/4"	18 5/8"	513
	19.000	18 5/8"	19"	525
	19.375	19"	19 3/8"	536
	19.750	19 3/8"	19 3/4"	548
	20.125	19 3/4"	20 1/8"	560
	20.500	20 1/8"	20 1/2"	571
	20.875	20 1/2"	20 7/8"	583
	21.250	20 7/8"	21 1/4"	595
	21.625	21 1/4"	21 5/8"	606
	22.000	21 5/8"	22"	618
	22.375	22"	22 3/8"	629
22.750	22 3/8"	22 3/4"	641	
23.125	22 3/4"	23 1/8"	653	
23.500	23 1/8"	23 1/2"	664	
23.875	23 1/2"	23 7/8"	676	
24.250	23 7/8"	24 1/4"	688	
24.625	24 1/4"	24 5/8"	699	
25.000	24 5/8"	25"	711	
25.375	25"	25 3/8"	723	
25.750	25 3/8"	25 3/4"	734	

(\*) CUSTOM SLOPES & DEPTHS AVAILABLE



1405 INDUSTRIAL DRIVE  
STATESVILLE, NC 28625  
(704) 508-1010  
1-800-433-1119  
www.multidrain.com

## EconoDrain® Decorative Series #DG4 Standard Frame w/ Welded Spacer Rod

FILE NUMBER:

**EDG-EPS-2M-17a**

REV: 00

Proprietary rights of MultiDrain Systems, Inc. are included in the information disclosed herein. The recipient, by accepting this document, agrees that neither this document nor the information disclosed herein nor any part thereof shall be copied, reproduced or transferred for manufacturing or for any other purpose except as specifically authorized in writing by MULTIDRAIN.

**DISCLAIMER:** The customer and the customer's architects, engineers, consultants and other professionals are completely responsible for the selection, installation, and maintenance of any product purchased from MultiDrain, and EXCEPT AS EXPRESSLY PROVIDED IN MULTIDRAIN'S STANDARD WARRANTIES, MULTIDRAIN MAKES NO WARRANTY, EXPRESS OR IMPLIED, AS TO THE SUITABILITY, DESIGN, MERCHANTABILITY, OR FITNESS OF THE PRODUCT FOR CUSTOMER'S APPLICATION. Copies of MultiDrain's standard warranties are available upon request.