

**STEEL FRAMES & EPS FORMS ARE
STANDARD 8'-0" LENGTHS**

24	25	26	27	28	29	30	31	32	33	34	35	36	37	38	39	40	41	42	43	44	45	46	47	48	49
----	----	----	----	----	----	----	----	----	----	----	----	----	----	----	----	----	----	----	----	----	----	----	----	----	----

SHALLOW EPS FORMS

50	51	52	53	54	55	56	57	58	59	60	61	62	63	64	65	66	67	68	69	70	71	72	73	74	75
----	----	----	----	----	----	----	----	----	----	----	----	----	----	----	----	----	----	----	----	----	----	----	----	----	----

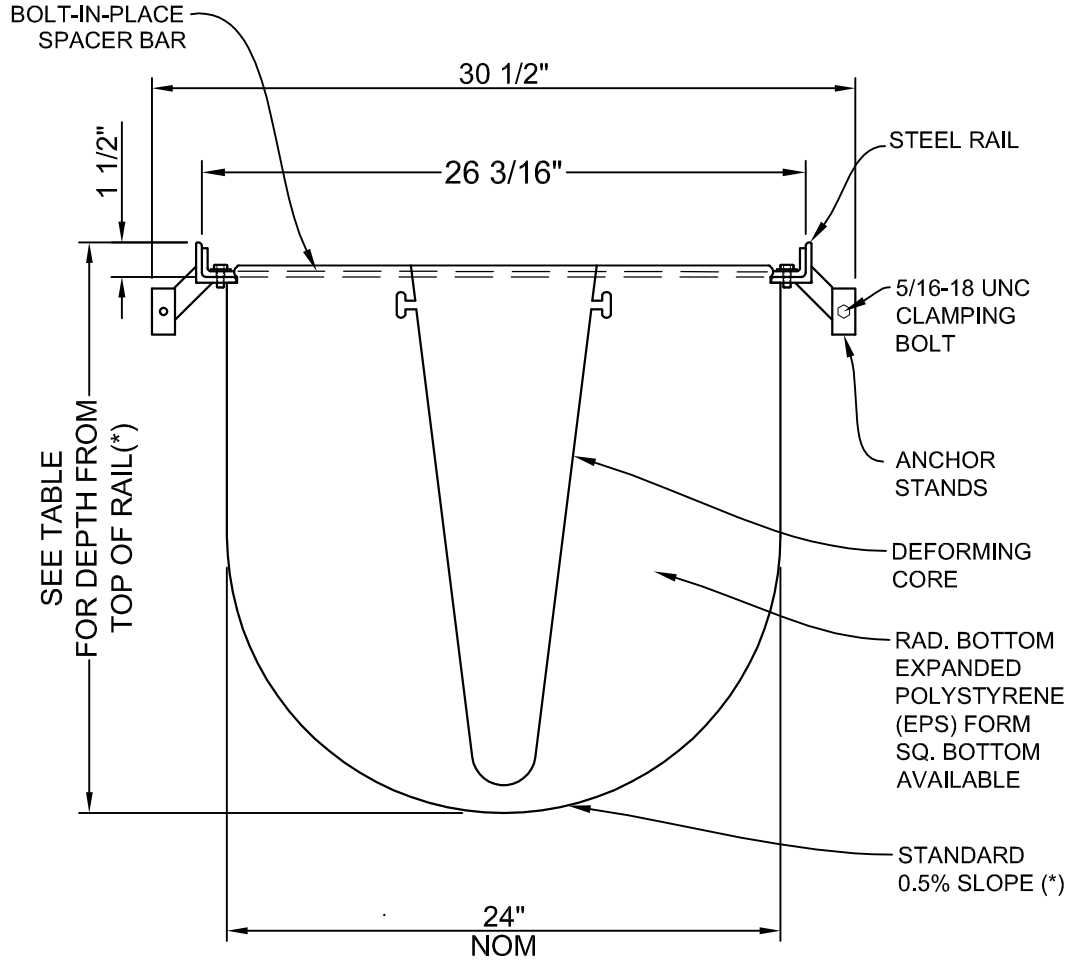
DEEP EPS FORMS

SHALLOW EPS FORMS

DEEP EPS FORMS

EPS FORM	DEPTH MIN	DEPTH MAX	FLOW GPM
24	15"	15 1/2"	4721
25	15 1/2"	16"	4991
26	16"	16 1/2"	5262
27	16 1/2"	17"	5536
28	17"	17 1/2"	5811
29	17 1/2"	18"	6088
30	18"	18 1/2"	6366
31	18 1/2"	19"	6645
32	19"	19 1/2"	6926
33	19 1/2"	20"	7208
34	20"	20 1/2"	7491
35	20 1/2"	21"	7775
36	21"	21 1/2"	8060
37	21 1/2"	22"	8345
38	22"	22 1/2"	8632
39	22 1/2"	23"	8920
40	23"	23 1/2"	9208
41	23 1/2"	24"	9497
42	24"	24 1/2"	9787
43	24 1/2"	25"	10077
44	25"	25 1/2"	10368
45	25 1/2"	26"	10659
46	26"	26 1/2"	10951
47	26 1/2"	27"	11244
48	27"	27 1/2"	11537
49	27 1/2"	28"	11831
50	28"	28 1/2"	12125
51	28 1/2"	29"	12419
52	29"	29 1/2"	12714
53	29 1/2"	30"	13010
54	30"	30 1/2"	13305
55	30 1/2"	31"	13601
56	31"	31 1/2"	13898
57	31 1/2"	32"	14194
58	32"	32 1/2"	14492
59	32 1/2"	33"	14789
60	33"	33 1/2"	15087
61	33 1/2"	34"	15385
62	34"	34 1/2"	15683
63	34 1/2"	35"	15981
64	35"	35 1/2"	16280
65	35 1/2"	36"	16579
66	36"	36 1/2"	16878
67	36 1/2"	37"	17178
68	37"	37 1/2"	17477
69	37 1/2"	38"	17777
70	38"	38 1/2"	18077
71	38 1/2"	39"	18378
72	39"	39 1/2"	18678
73	39 1/2"	40"	18979
74	40"	40 1/2"	19280
75	40 1/2"	41"	19581

(*) CUSTOM SLOPES & DEPTHS AVAILABLE



NOTES:

1. INSTALLATION TO BE COMPLETED IN ACCORDANCE WITH MANUFACTURER'S SPECIFICATIONS AND INSTALLATION INSTRUCTIONS.
2. A TRENCH SHALL BE EXCAVATED A MINIMUM OF 12" WIDER THAN THE OVERALL WIDTH OF THE STEEL FRAME (6" MINIMUM ON EACH SIDE) AND A MINIMUM OF 6 INCHES DEEPER THAN THE OVERALL DEPTH OF THE ECONODRAIN EPS FORM.
3. DO NOT SCALE DRAWINGS.

Copyright © 2014 MultiDrain Systems, Inc.



1405 INDUSTRIAL DRIVE
STATESVILLE, NC 28625
(704) 508-1010
1-800-433-1119
www.multidrain.com

**EconoDrain® Series #24
Standard Rail & Bolt-In-Place Spacer Bar**

FILE NUMBER:

CSI-ED-EPS-2496NR-14a

REV: 00

Proprietary rights of MultiDrain Systems, Inc. are included in the information disclosed herein. The recipient, by accepting this document, agrees that neither this document nor the information disclosed herein nor any part thereof shall be copied, reproduced or transferred for manufacturing or for any other purpose except as specifically authorized in writing by MULTIDRAIN.

DISCLAIMER: The customer and the customer's architects, engineers, consultants and other professionals are completely responsible for the selection, installation, and maintenance of any product purchased from MultiDrain, and EXCEPT AS EXPRESSLY PROVIDED IN MULTIDRAIN'S STANDARD WARRANTIES, MULTIDRAIN MAKES NO WARRANTY, EXPRESS OR IMPLIED, AS TO THE SUITABILITY, DESIGN, MERCHANTABILITY, OR FITNESS OF THE PRODUCT FOR CUSTOMER'S APPLICATION. Copies of MultiDrain's standard warranties are available upon request.