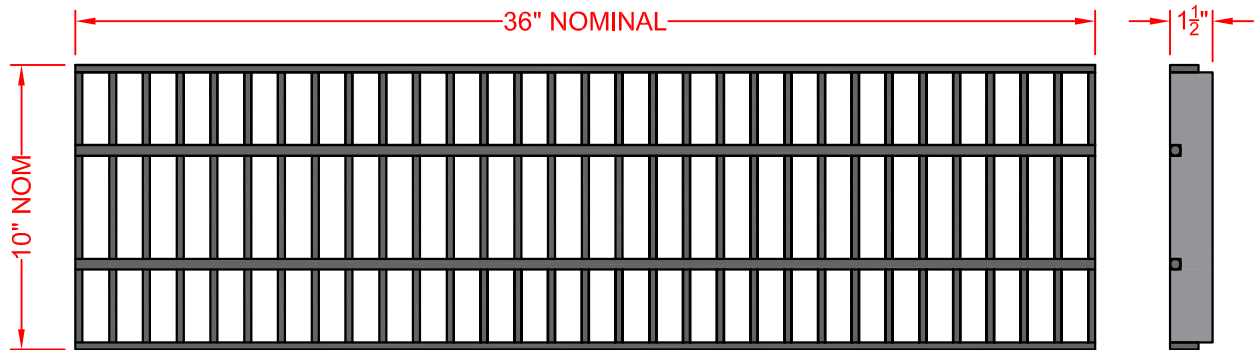
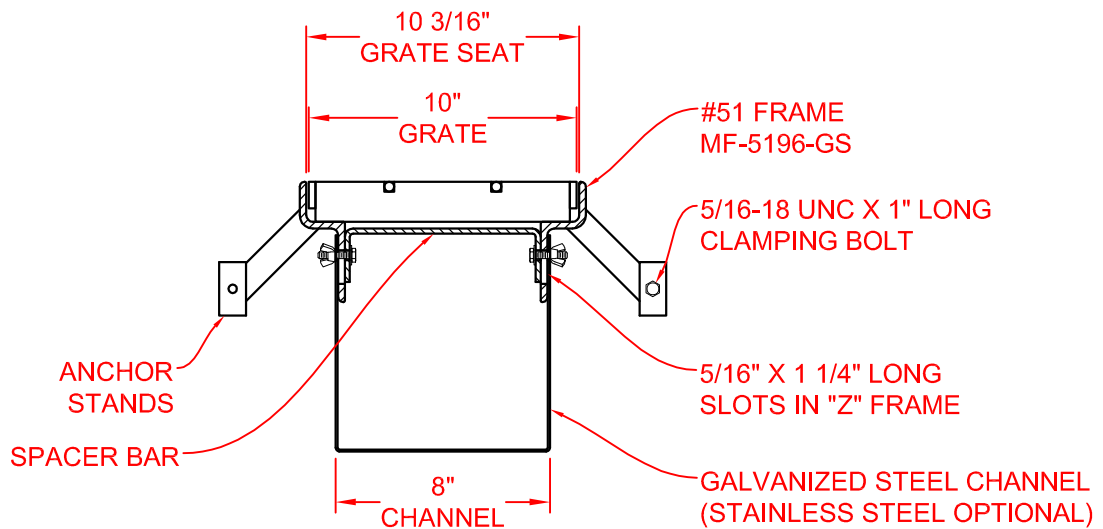


68% OPEN AREA
82.0 SQUARE INCHES
PER LINEAR FOOT



PAINTED STEEL BANDED BAR GRATE - #EG-1036-HPBG
GALVANIZED STEEL BANDED BAR GRATE - #EG-1036-HGBG
STAINLESS STEEL BANDED BAR GRATE - #EG-1036-HSBG
(INSTALLED AFTER REMOVAL OF EPS FORM)



SECTION A-A
NOT TO SCALE

Copyright © 2014 MultiDrain Systems, Inc.

MultiDrain

1405 INDUSTRIAL DRIVE
STATESVILLE, NC 28625
(704) 508-1010
1-800-433-1119
www.multidrain.com

SERIES 800
MULTIDRAIN™ SYSTEM

PART:
MD-0896, MF-5196-GS,
EG-1036-__BG

FILE NUMBER:

MD-0896-BG-14

REV: 00

Proprietary rights of MultiDrain Systems, Inc. are included in the information disclosed herein. The recipient, by accepting this document, agrees that neither this document nor the information disclosed herein nor any part thereof shall be copied, reproduced or transferred for manufacturing or for any other purpose except as specifically authorized in writing by MULTIDRAIN.

DISCLAIMER: The customer and the customer's architects, engineers, consultants and other professionals are completely responsible for the selection, installation, and maintenance of any product purchased from MultiDrain, and EXCEPT AS EXPRESSLY PROVIDED IN MULTIDRAIN'S STANDARD WARRANTIES, MULTIDRAIN MAKES NO WARRANTY, EXPRESS OR IMPLIED, AS TO THE SUITABILITY, DESIGN, MERCHANTABILITY, OR FITNESS OF THE PRODUCT FOR CUSTOMER'S APPLICATION. Copies of MultiDrain's standard warranties are available upon request.