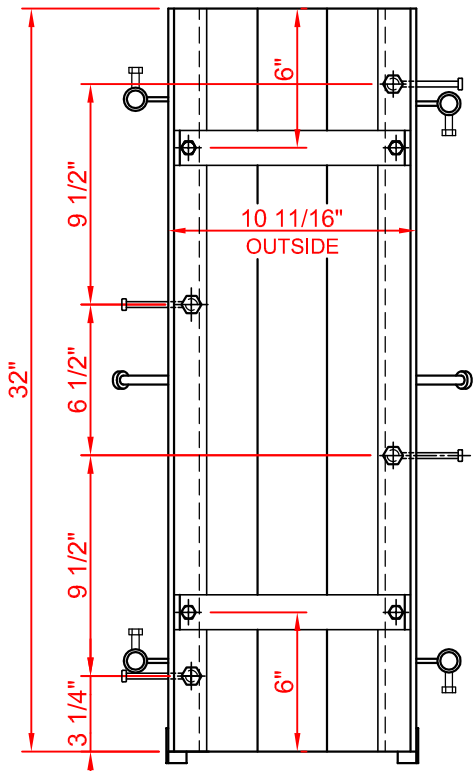


**FINISH SPECIFICATION**

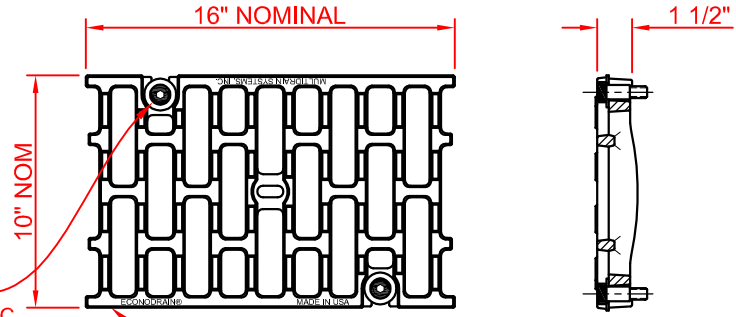
GRATE RAILS: BLACK POLYESTER POWDER COAT  
HOT DIP GALVANIZE - OPTIONAL  
STAINLESS STEEL - OPTIONAL

CAST GRATE : UNCOATED - STANDARD  
HOT DIP GALVANIZE - OPTIONAL

54% OPEN AREA  
64.7 SQUARE INCHES PER  
LINEAR FOOT

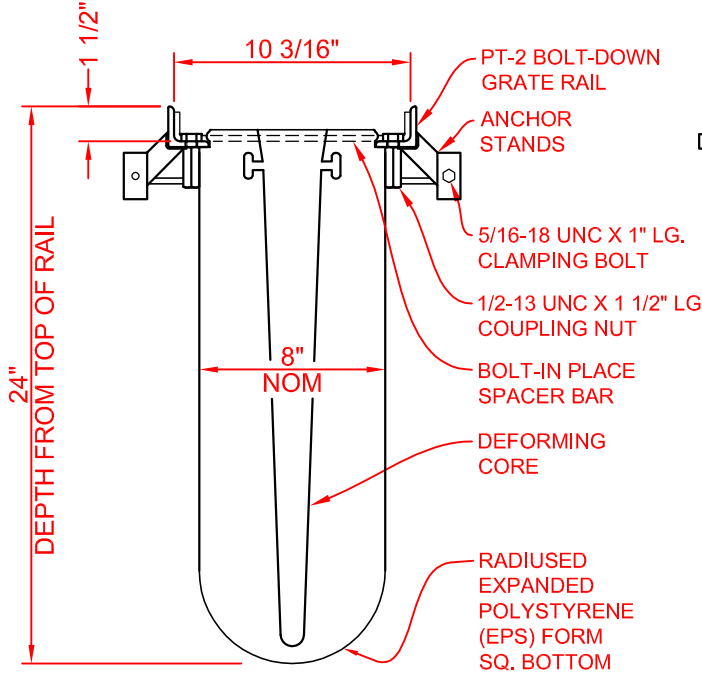


**PLAN VIEW**

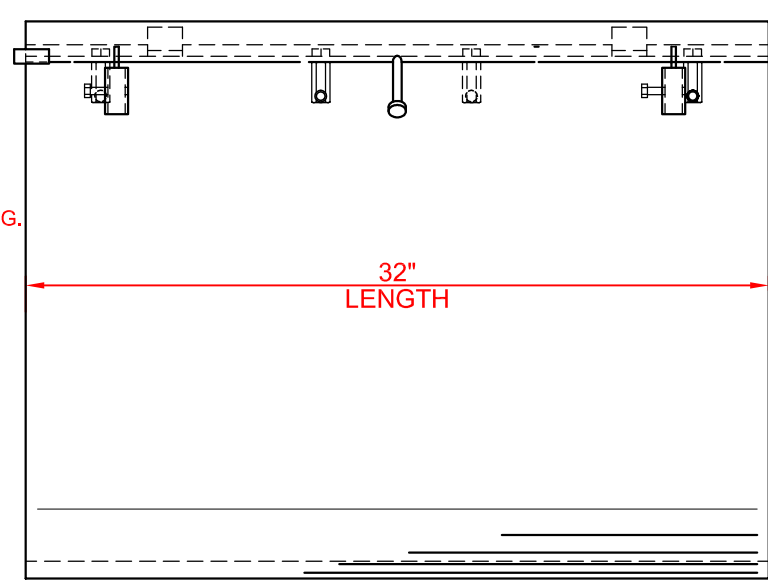


SHOULDER BOLT  
5/8" X 1" X 1/2-13 UNC  
2 BOLTS & WASHERS  
PER GRATE

PT-2™ DUCTILE IRON GRATE - #EG-1016-2DI-A  
FAA AC150 5320-6E PART 5 APPENDIX 3  
AASHTO M306, H-20 & HS-25  
(INSTALLED AFTER REMOVAL OF EPS FORM)



**END VIEW**



**SIDE VIEW**

**NOTES:**

1. INSTALLATION TO BE COMPLETED IN ACCORDANCE WITH MANUFACTURER'S SPECIFICATIONS AND INSTALLATION INSTRUCTIONS.
2. A TRENCH SHALL BE EXCAVATED A MINIMUM OF 12" WIDER THAN THE OVERALL WIDTH OF THE STEEL FRAME (6" MINIMUM EACH SIDE) AND A MINIMUM OF 6 INCHES DEEPER THAN THE OVERALL DEPTH OF THE ECONODRAIN EPS FORM.
3. DO NOT SCALE DRAWINGS.

Copyright © 2014 MultiDrain Systems, Inc.

**MultiDrain**  
1405 INDUSTRIAL DRIVE  
STATESVILLE, NC 28625  
(704) 508-1010  
1-800-433-1119  
www.multidrain.com

**EconoDrain® Series #8 In-Line Catch Basin  
w/ EG-1016-2DI-A Ductile Iron PT-2 Grate (2-Pt. Bolt-Down)**

FILE NUMBER: **CSI-ED-ECB-0824NR-PT2B-14a** REV: **00**

Proprietary rights of MultiDrain Systems, Inc. are included in the information disclosed herein. The recipient, by accepting this document, agrees that neither this document nor the information disclosed herein nor any part thereof shall be copied, reproduced or transferred for manufacturing or for any other purpose except as specifically authorized in writing by MULTIDRAIN.

**DISCLAIMER:** The customer and the customer's architects, engineers, consultants and other professionals are completely responsible for the selection, installation, and maintenance of any product purchased from MultiDrain, and EXCEPT AS EXPRESSLY PROVIDED IN MULTIDRAIN'S STANDARD WARRANTIES, MULTIDRAIN MAKES NO WARRANTY, EXPRESS OR IMPLIED, AS TO THE SUITABILITY, DESIGN, MERCHANTABILITY, OR FITNESS OF THE PRODUCT FOR CUSTOMER'S APPLICATION. Copies of MultiDrain's standard warranties are available upon request.