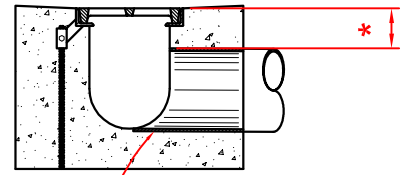
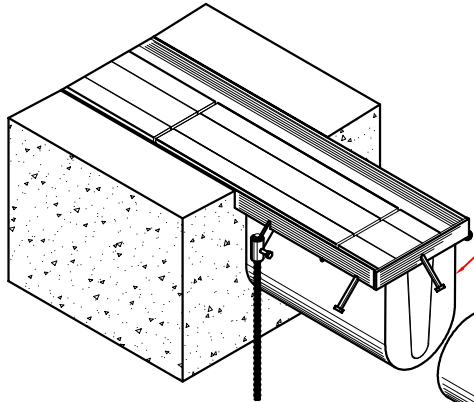


SIDE OUTLET
DO NOT SCALE

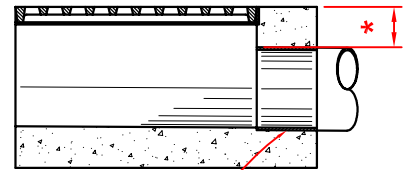


**CUT OUTLET PIPE TO MATCH
INVERT OF TRENCH DRAIN**

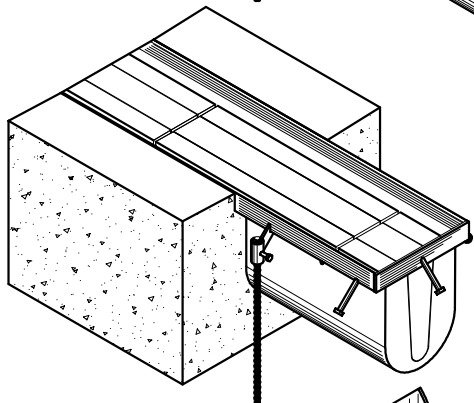


**ECONODRAIN®
TRENCH SYSTEM**

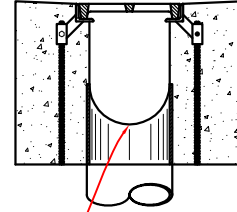
IN-LINE OUTLET
DO NOT SCALE



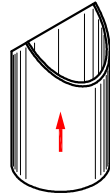
**MATCH FLOW LINE OF OUTLET PIPE
TO INVERT OF TRENCH DRAIN**



BOTTOM OUTLET
DO NOT SCALE



**CUT OUTLET PIPE TO MATCH
PROFILE OF TRENCH DRAIN**



NOTES TO THE SPECIFIER:

1. ADD REBAR AS REQUIRED.
2. SPECIFY MINIMUM CONCRETE ENCASEMENT.
3. 4" MINIMUM CONCRETE COVERAGE OF OUTLET PIPE IS RECOMMENDED. (LABELED WITH *).
4. FINAL CONCRETE THICKNESS PER LOCAL ENGINEERING REGULATIONS AND GUIDELINES.

CONSTRUCTION NOTES:

1. INSTALLATION TO BE COMPLETED IN ACCORDANCE WITH MANUFACTURERS SPECIFICATIONS.
2. SECURE OUTLET PIPE PRIOR TO CONCRETING OPERATIONS.
3. FOR ILLUSTRATION ONLY. DO NOT SCALE DRAWINGS.

Copyright © 2014 MultiDrain Systems, Inc.



1405 INDUSTRIAL DRIVE
STATESVILLE, NC 28625
(704) 508-1010
1-800-433-1119
www.multidrain.com

EconoDrain®
Outlets From End of Trench

FILE NUMBER:

CSI-ED-OUTLET-TR-00-14a

REV: 00

Proprietary rights of MultiDrain Systems, Inc. are included in the information disclosed herein. The recipient, by accepting this document, agrees that neither this document nor the information disclosed herein nor any part thereof shall be copied, reproduced or transferred for manufacturing or for any other purpose except as specifically authorized in writing by MULTIDRAIN.

DISCLAIMER: The customer and the customer's architects, engineers, consultants and other professionals are completely responsible for the selection, installation, and maintenance of any product purchased from MultiDrain, and EXCEPT AS EXPRESSLY PROVIDED IN MULTIDRAIN'S STANDARD WARRANTIES, MULTIDRAIN MAKES NO WARRANTY, EXPRESS OR IMPLIED, AS TO THE SUITABILITY, DESIGN, MERCHANTABILITY, OR FITNESS OF THE PRODUCT FOR CUSTOMER'S APPLICATION. Copies of MultiDrain's standard warranties are available upon request.