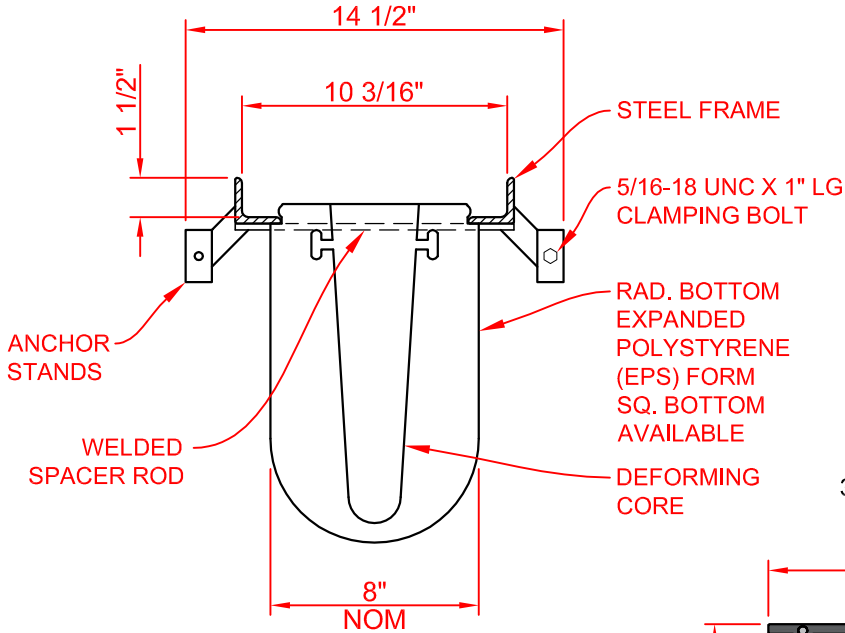


**ELEVATION**

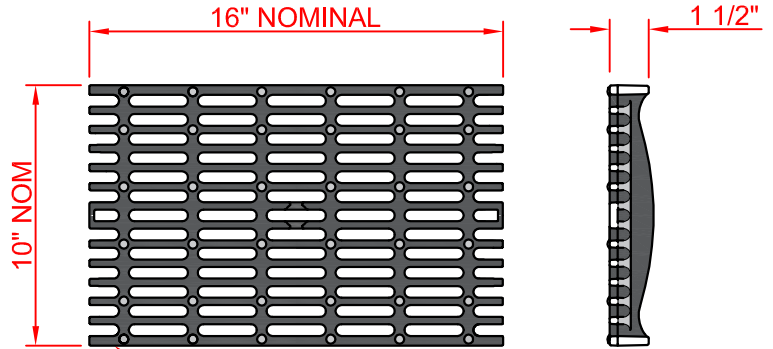


**SECTION A-A  
DO NOT SCALE**

**FINISH SPECIFICATION**

GRATE FRAME: BLACK POLYESTER POWDER COAT  
 HOT DIP GALVANIZE - OPTIONAL  
 STAINLESS STEEL - OPTIONAL  
 CAST GRATE : SHOP BLACK - STANDARD  
 HOT DIP GALVANIZE - OPTIONAL

48% OPEN AREA  
 37.95 SQUARE INCHES  
 PER LINEAR FOOT



**AASHTO M306 - H20 & HS25  
 HEAVY DUTY DUCTILE IRON GRATE - #EG-1016-1DI-ADA  
 ADA COMPLIANT SLOTTED GRATE  
 (INSTALLED AFTER REMOVAL OF EPS FORM)**

**NOTES:**

1. INSTALLATION TO BE COMPLETED IN ACCORDANCE WITH MANUFACTURE'S SPECIFICATIONS AND INSTALLATION INSTRUCTIONS.
2. A TRENCH SHALL BE EXCAVATED A MINIMUM OF 12" WIDER THAN THE OVERALL WIDTH OF THE STEEL FRAME (6" MINIMUM ON EACH SIDE) AND A MINIMUM OF 6 INCHES DEEPER THAN THE OVERALL DEPTH OF THE ECONODRAIN EPS FORM.
3. DO NOT SCALE DRAWINGS.

Copyright © 2014 MultiDrain Systems, Inc.



1405 INDUSTRIAL DRIVE  
 STATESVILLE, NC 28625  
 (704) 508-1010  
 1-800-433-1119  
 www.multidrain.com

**EconoDrain® Series #8  
 Standard Pre-Welded Frame**

FILE NUMBER:

**CSI-ED-0896-1DI-ADA-16a**

REV: 00

Proprietary rights of MultiDrain Systems, Inc. are included in the information disclosed herein. The recipient, by accepting this document, agrees that neither this document nor the information disclosed herein nor any part thereof shall be copied, reproduced or transferred for manufacturing or for any other purpose except as specifically authorized in writing by MULTIDRAIN.

**DISCLAIMER:** The customer and the customer's architects, engineers, consultants and other professionals are completely responsible for the selection, installation, and maintenance of any product purchased from MultiDrain, and EXCEPT AS EXPRESSLY PROVIDED IN MULTIDRAIN'S STANDARD WARRANTIES, MULTIDRAIN MAKES NO WARRANTY, EXPRESS OR IMPLIED, AS TO THE SUITABILITY, DESIGN, MERCHANTABILITY, OR FITNESS OF THE PRODUCT FOR CUSTOMER'S APPLICATION. Copies of MultiDrain's standard warranties are available upon request.