

**STEEL FRAMES & EPS FORMS ARE  
STANDARD 8'-0" LENGTHS**

06	07	08	09	10	11	12	13	14	15	16	17	18	19	20	21	22	23
----	----	----	----	----	----	----	----	----	----	----	----	----	----	----	----	----	----

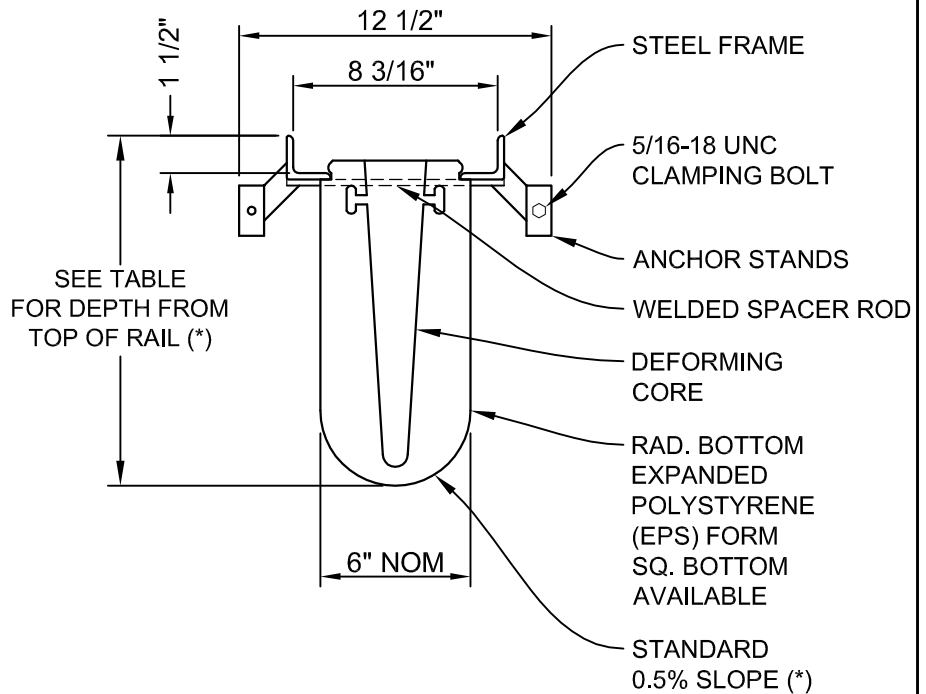
**SHALLOW EPS FORMS**

24	25	26	27	28	29	30	31	32	33	34	35	36	37	38	39	40	41	42	43	44	45
----	----	----	----	----	----	----	----	----	----	----	----	----	----	----	----	----	----	----	----	----	----

**DEEP EPS FORMS**

	EPS FORM	DEPTH		FLOW GPM	
		MIN	MAX		
<b>SHALLOW EPS FORMS</b>	06	6"	6 1/2"	200	
	07	6 1/2"	7"	228	
	08	7"	7 1/2"	257	
	09	7 1/2"	8"	286	
	10	8"	8 1/2"	315	
	11	8 1/2"	9"	345	
	12	9"	9 1/2"	374	
	13	9 1/2"	10"	404	
	14	10"	10 1/2"	433	
	15	10 1/2"	11"	463	
	16	11"	11 1/2"	493	
	17	11 1/2"	12"	523	
	18	12"	12 1/2"	553	
	19	12 1/2"	13"	583	
	20	13"	13 1/2"	613	
	21	13 1/2"	14"	643	
	22	14"	14 1/2"	673	
	23	14 1/2"	15"	704	
	<b>DEEP EPS FORMS</b>	24	15"	15 1/2"	734
		25	15 1/2"	16"	764
		26	16"	16 1/2"	794
		27	16 1/2"	17"	824
		28	17"	17 1/2"	855
29		17 1/2"	18"	885	
30		18"	18 1/2"	915	
31		18 1/2"	19"	946	
32		19"	19 1/2"	976	
33		19 1/2"	20"	1006	
34		20"	20 1/2"	1037	
35		20 1/2"	21"	1067	
36		21"	21 1/2"	1098	
37		21 1/2"	22"	1128	
38		22"	22 1/2"	1158	
39		22 1/2"	23"	1189	
40		23"	23 1/2"	1219	
41		23 1/2"	24"	1250	
42		24"	24 1/2"	1280	
43		24 1/2"	25"	1311	
44		25"	25 1/2"	1341	
45		25 1/2"	26"	1372	

(\* ) CUSTOM SLOPES & DEPTHS AVAILABLE



**NOTES:**

1. INSTALLATION TO BE COMPLETED IN ACCORDANCE WITH MANUFACTURER'S SPECIFICATIONS AND INSTALLATION INSTRUCTIONS.
2. A TRENCH SHALL BE EXCAVATED A MINIMUM OF 12" WIDER THAN THE OVERALL WIDTH OF THE STEEL FRAME ( 6" MINIMUM ON EACH SIDE) AND A MINIMUM OF 6 INCHES DEEPER THAN THE OVERALL DEPTH OF THE ECONODRAIN EPS FORM.
3. DO NOT SCALE DRAWINGS.

Copyright © 2014 MultiDrain Systems, Inc.



1405 INDUSTRIAL DRIVE  
STATESVILLE, NC 28625  
(704) 508-1010  
1-800-433-1119  
www.multidrain.com

**EconoDrain® Series #6  
Standard Pre-Welded Frame**

FILE NUMBER:

**CSI-ED-EPS-0696-14a**

REV: 00

Proprietary rights of MultiDrain Systems, Inc. are included in the information disclosed herein. The recipient, by accepting this document, agrees that neither this document nor the information disclosed herein nor any part thereof shall be copied, reproduced or transferred for manufacturing or for any other purpose except as specifically authorized in writing by MULTIDRAIN.

**DISCLAIMER:** The customer and the customer's architects, engineers, consultants and other professionals are completely responsible for the selection, installation, and maintenance of any product purchased from MultiDrain, and EXCEPT AS EXPRESSLY PROVIDED IN MULTIDRAIN'S STANDARD WARRANTIES, MULTIDRAIN MAKES NO WARRANTY, EXPRESS OR IMPLIED, AS TO THE SUITABILITY, DESIGN, MERCHANTABILITY, OR FITNESS OF THE PRODUCT FOR CUSTOMER'S APPLICATION. Copies of MultiDrain's standard warranties are available upon request.