

**STEEL FRAMES & EPS FORMS ARE  
STANDARD 8'-0" LENGTHS**

04	05	06	07	08	09	10	11	12	13	14	15	16	17	18	19	20	21	22	23
----	----	----	----	----	----	----	----	----	----	----	----	----	----	----	----	----	----	----	----

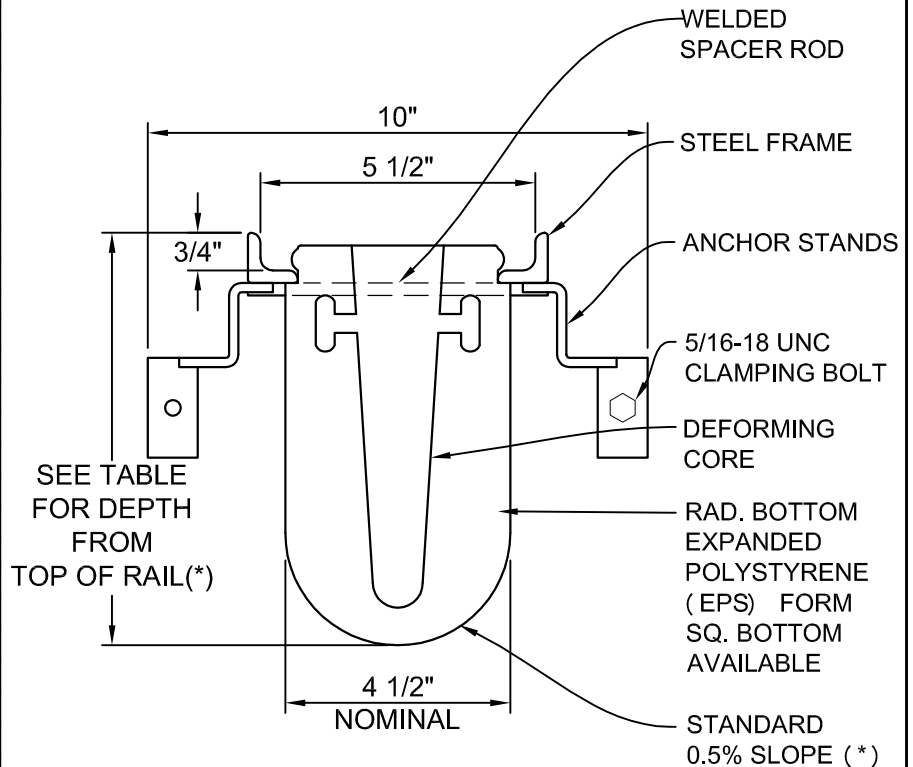
**SHALLOW EPS FORMS**

24	25	26	27	28	29	30	31	32	33	34	35	36	37	38	39	40	41	42	43	44	45
----	----	----	----	----	----	----	----	----	----	----	----	----	----	----	----	----	----	----	----	----	----

**DEEP EPS FORMS**

	EPS FORM	DEPTH		FLOW GPM	
		MIN	MAX		
<b>SHALLOW EPS FORMS</b>	04	4 1/4"	4 3/4"	102	
	05	4 3/4"	5 1/4"	119	
	06	5 1/4"	5 3/4"	137	
	07	5 3/4"	6 1/4"	156	
	08	6 1/4"	6 3/4"	174	
	09	6 3/4"	7 1/4"	192	
	10	7 1/4"	7 3/4"	211	
	11	7 3/4"	8 1/4"	229	
	12	8 1/4"	8 3/4"	248	
	13	8 3/4"	9 1/4"	266	
	14	9 1/4"	9 3/4"	285	
	15	9 3/4"	10 1/4"	303	
	16	10 1/4"	10 3/4"	322	
	17	10 3/4"	11 1/4"	341	
	18	11 1/4"	11 3/4"	359	
	19	11 3/4"	12 1/4"	378	
	20	12 1/4"	12 3/4"	397	
	21	12 3/4"	13 1/4"	416	
	22	13 1/4"	13 3/4"	434	
	23	13 3/4"	14 1/4"	453	
	<b>DEEP EPS FORMS</b>	24	14 1/4"	14 3/4"	472
		25	14 3/4"	15 1/4"	491
		26	15 1/4"	15 3/4"	510
27		15 3/4"	16 1/4"	528	
28		16 1/4"	16 3/4"	547	
29		16 3/4"	17 1/4"	566	
30		17 1/4"	17 3/4"	585	
31		17 3/4"	18 1/4"	604	
32		18 1/4"	18 3/4"	623	
33		18 3/4"	19 1/4"	642	
34		19 1/4"	19 3/4"	660	
35		19 3/4"	20 1/4"	679	
36		20 1/4"	20 3/4"	698	
37		20 3/4"	21 1/4"	717	
38		21 1/4"	21 3/4"	736	
39		21 3/4"	22 1/4"	755	
40		22 1/4"	22 3/4"	774	
41		22 3/4"	23 1/4"	793	
42		23 1/4"	23 3/4"	812	
43		23 3/4"	24 1/4"	830	
44		24 1/4"	24 3/4"	849	
45		24 3/4"	25 1/4"	868	

(\* ) CUSTOM SLOPES & DEPTHS AVAILABLE



**NOTES:**

1. INSTALLATION TO BE COMPLETED IN ACCORDANCE WITH MANUFACTURER'S SPECIFICATIONS AND INSTALLATION INSTRUCTIONS.
2. A TRENCH SHALL BE EXCAVATED A MINIMUM OF 12" WIDER THAN THE OVERALL WIDTH OF THE STEEL FRAME ( 6" MINIMUM ON EACH SIDE) AND A MINIMUM OF 6 INCHES DEEPER THAN THE OVERALL DEPTH OF THE ECONODRAIN EPS FORM.
3. DO NOT SCALE DRAWINGS.

Copyright © 2014 MultiDrain Systems, Inc.



1405 INDUSTRIAL DRIVE  
STATESVILLE, NC 28625  
(704) 508-1010  
1-800-433-1119  
www.multidrain.com

**EconoDrain® Series #4  
Standard Frame w/ Welded Spacer Rod**

FILE NUMBER:

**CSI-ED-EPS-0496-14a**

REV: 00

Proprietary rights of MultiDrain Systems, Inc. are included in the information disclosed herein. The recipient, by accepting this document, agrees that neither this document nor the information disclosed herein nor any part thereof shall be copied, reproduced or transferred for manufacturing or for any other purpose except as specifically authorized in writing by MULTIDRAIN.

**DISCLAIMER:** The customer and the customer's architects, engineers, consultants and other professionals are completely responsible for the selection, installation, and maintenance of any product purchased from MultiDrain, and EXCEPT AS EXPRESSLY PROVIDED IN MULTIDRAIN'S STANDARD WARRANTIES, MULTIDRAIN MAKES NO WARRANTY, EXPRESS OR IMPLIED, AS TO THE SUITABILITY, DESIGN, MERCHANTABILITY, OR FITNESS OF THE PRODUCT FOR CUSTOMER'S APPLICATION. Copies of MultiDrain's standard warranties are available upon request.