

**STEEL FRAMES & EPS FORMS ARE  
STANDARD 8'-0" LENGTHS**

18	19	20	21	22	23	24	25	26	27	28	29	30
----	----	----	----	----	----	----	----	----	----	----	----	----

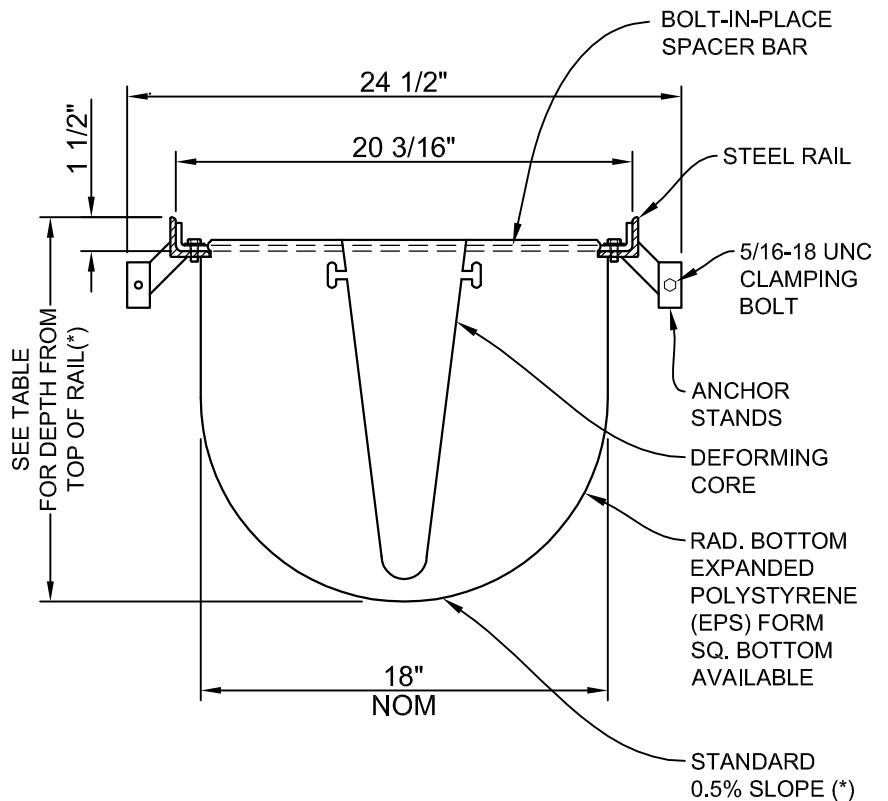
**SHALLOW EPS FORMS**

31	32	33	34	35	36	37	38	39	40	41	42	43	44	45	46	47	48	49	50
----	----	----	----	----	----	----	----	----	----	----	----	----	----	----	----	----	----	----	----

**DEEP EPS FORMS**

	EPS FORM	DEPTH		FLOW GPM
		MIN	MAX	
SHALLOW EPS FORMS	18	12"	12 1/2"	2359
	19	12 1/2"	13"	2528
	20	13"	13 1/2"	2698
	21	13 1/2"	14"	2870
	22	14"	14 1/2"	3042
	23	14 1/2"	15"	3216
	24	15"	15 1/2"	3391
	25	15 1/2"	16"	3566
	26	16"	16 1/2"	3742
	27	16 1/2"	17"	3919
28	17"	17 1/2"	4097	
29	17 1/2"	18"	4276	
30	18"	18 1/2"	4455	
DEEP EPS FORMS	31	18 1/2"	19"	4634
	32	19"	19 1/2"	4814
	33	19 1/2"	20"	4995
	34	20"	20 1/2"	5176
	35	20 1/2"	21"	5357
	36	21"	21 1/2"	5539
	37	21 1/2"	22"	5721
	38	22"	22 1/2"	5904
	39	22 1/2"	23"	6087
	40	23"	23 1/2"	6270
	41	23 1/2"	24"	6453
	42	24"	24 1/2"	6637
	43	24 1/2"	25"	6821
	44	25"	25 1/2"	7005
	45	25 1/2"	26"	7190
	46	26"	26 1/2"	7374
	47	26 1/2"	27"	7559
	48	27"	27 1/2"	7745
	49	27 1/2"	28"	7930
	50	28"	28 1/2"	8115

(\*) CUSTOM SLOPES & DEPTHS AVAILABLE



**NOTES:**

1. INSTALLATION TO BE COMPLETED IN ACCORDANCE WITH MANUFACTURER'S SPECIFICATIONS AND INSTALLATION INSTRUCTIONS.
2. A TRENCH SHALL BE EXCAVATED A MINIMUM OF 12" WIDER THAN THE OVERALL WIDTH OF THE STEEL FRAME ( 6" MINIMUM ON EACH SIDE) AND A MINIMUM OF 6 INCHES DEEPER THAN THE OVERALL DEPTH OF THE ECONODRAIN EPS FORM.
3. DO NOT SCALE DRAWINGS.

Copyright © 2014 MultiDrain Systems, Inc.



1405 INDUSTRIAL DRIVE  
STATESVILLE, NC 28625  
(704) 508-1010  
1-800-433-1119  
www.multidrain.com

**EconoDrain® Series #18  
Standard Rail & Bolt-In-Place Spacer Bar**

FILE NUMBER:

**CSI-ED-EPS-1896NR-14a**

REV: 00

Proprietary rights of MultiDrain Systems, Inc. are included in the information disclosed herein. The recipient, by accepting this document, agrees that neither this document nor the information disclosed herein nor any part thereof shall be copied, reproduced or transferred for manufacturing or for any other purpose except as specifically authorized in writing by MULTIDRAIN.

**DISCLAIMER:** The customer and the customer's architects, engineers, consultants and other professionals are completely responsible for the selection, installation, and maintenance of any product purchased from MultiDrain, and EXCEPT AS EXPRESSLY PROVIDED IN MULTIDRAIN'S STANDARD WARRANTIES, MULTIDRAIN MAKES NO WARRANTY, EXPRESS OR IMPLIED, AS TO THE SUITABILITY, DESIGN, MERCHANTABILITY, OR FITNESS OF THE PRODUCT FOR CUSTOMER'S APPLICATION. Copies of MultiDrain's standard warranties are available upon request.