

	EPS FORM	DEPTH		FLOW GPM
		MIN	MAX	
SHALLOW EPS FORMS	10	8"	8 1/2"	743
	11	8 1/2"	9"	829
	12	9"	9 1/2"	915
	13	9 1/2"	10"	1003
	14	10"	10 1/2"	1091
	15	10 1/2"	11"	1180
	16	11"	11 1/2"	1269
	17	11 1/2"	12"	1359
	18	12"	12 1/2"	1450
	19	12 1/2"	13"	1541
	20	13"	13 1/2"	1633
	21	13 1/2"	14"	1725
	22	14"	14 1/2"	1817
23	14 1/2"	15"	1910	
DEEP EPS FORMS	24	15"	15 1/2"	2002
	25	15 1/2"	16"	2095
	26	16"	16 1/2"	2189
	27	16 1/2"	17"	2282
	28	17"	17 1/2"	2376
	29	17 1/2"	18"	2470
	30	18"	18 1/2"	2564
	31	18 1/2"	19"	2658
	32	19"	19 1/2"	2753
	33	19 1/2"	20"	2847
	34	20"	20 1/2"	2942
	35	20 1/2"	21"	3036
	36	21"	21 1/2"	3131
	37	21 1/2"	22"	3226
	38	22"	22 1/2"	3321
	39	22 1/2"	23"	3416
	40	23"	23 1/2"	3511
	41	23 1/2"	24"	3607
	42	24"	24 1/2"	3702
	43	24 1/2"	25"	3798
	44	25"	25 1/2"	3893
	45	25 1/2"	26"	3989

(*) CUSTOM SLOPES & DEPTHS AVAILABLE

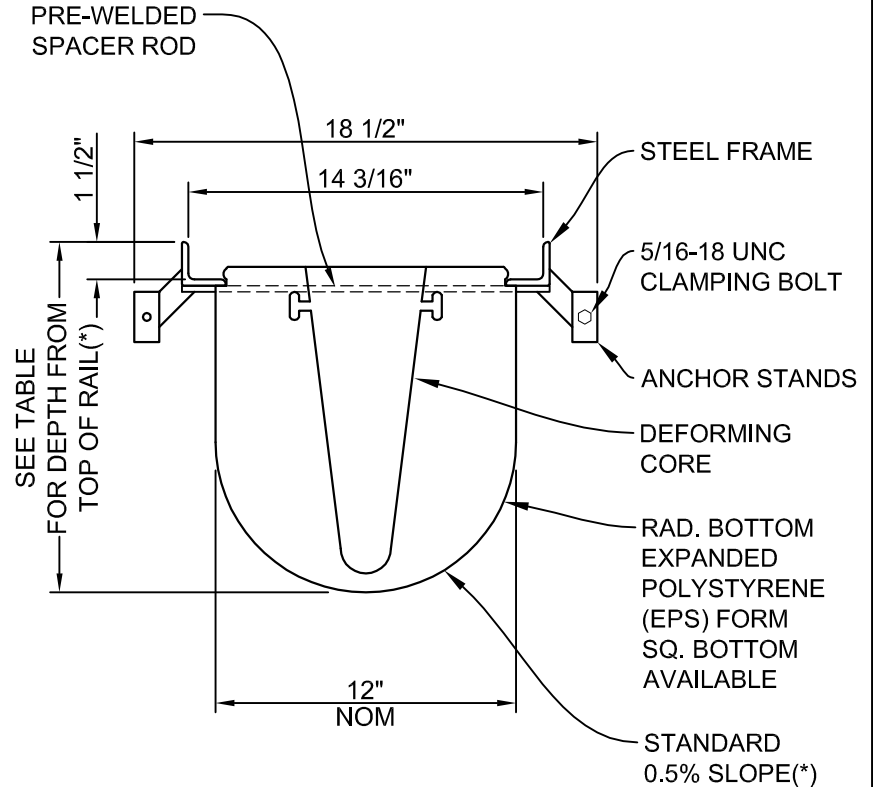
STEEL FRAMES & EPS FORMS ARE STANDARD 8'-0" LENGTHS

10	11	12	13	14	15	16	17	18	19	20	21	22	23
----	----	----	----	----	----	----	----	----	----	----	----	----	----

SHALLOW EPS FORMS

24	25	26	27	28	29	30	31	32	33	34	35	36	37	38	39	40	41	42	43	44	45
----	----	----	----	----	----	----	----	----	----	----	----	----	----	----	----	----	----	----	----	----	----

DEEP EPS FORMS



NOTES:

1. INSTALLATION TO BE COMPLETED IN ACCORDANCE WITH MANUFACTURER'S SPECIFICATIONS AND INSTALLATION INSTRUCTIONS.
2. A TRENCH SHALL BE EXCAVATED A MINIMUM OF 12" WIDER THAN THE OVERALL WIDTH OF THE STEEL FRAME (6" MINIMUM ON EACH SIDE) AND A MINIMUM OF 6 INCHES DEEPER THAN THE OVERALL DEPTH OF THE ECONODRAIN EPS FORM.
3. DO NOT SCALE DRAWINGS.

Copyright © 2014 MultiDrain Systems, Inc.



1405 INDUSTRIAL DRIVE
STATESVILLE, NC 28625
(704) 508-1010
1-800-433-1119
www.multidrain.com

**EconoDrain® Series #12
Standard Pre-Welded Frame**

FILE NUMBER:

CSI-ED-EPS-1296-14a

REV: 00

Proprietary rights of MultiDrain Systems, Inc. are included in the information disclosed herein. The recipient, by accepting this document, agrees that neither this document nor the information disclosed herein nor any part thereof shall be copied, reproduced or transferred for manufacturing or for any other purpose except as specifically authorized in writing by MULTIDRAIN.

DISCLAIMER: The customer and the customer's architects, engineers, consultants and other professionals are completely responsible for the selection, installation, and maintenance of any product purchased from MultiDrain, and EXCEPT AS EXPRESSLY PROVIDED IN MULTIDRAIN'S STANDARD WARRANTIES, MULTIDRAIN MAKES NO WARRANTY, EXPRESS OR IMPLIED, AS TO THE SUITABILITY, DESIGN, MERCHANTABILITY, OR FITNESS OF THE PRODUCT FOR CUSTOMER'S APPLICATION. Copies of MultiDrain's standard warranties are available upon request.