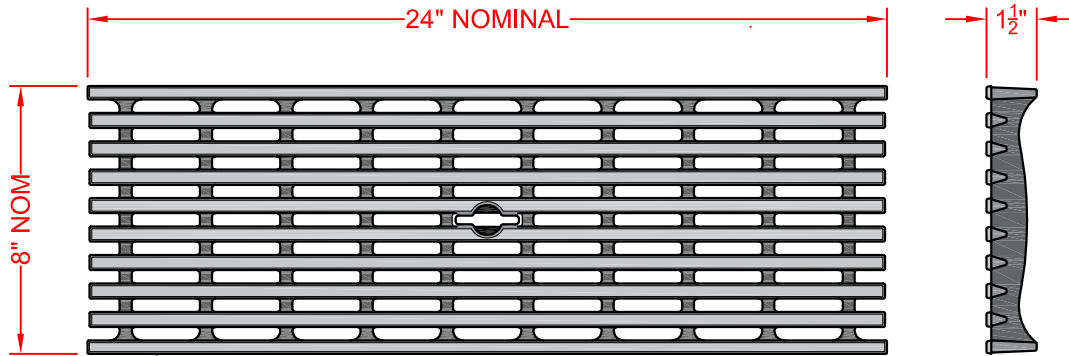
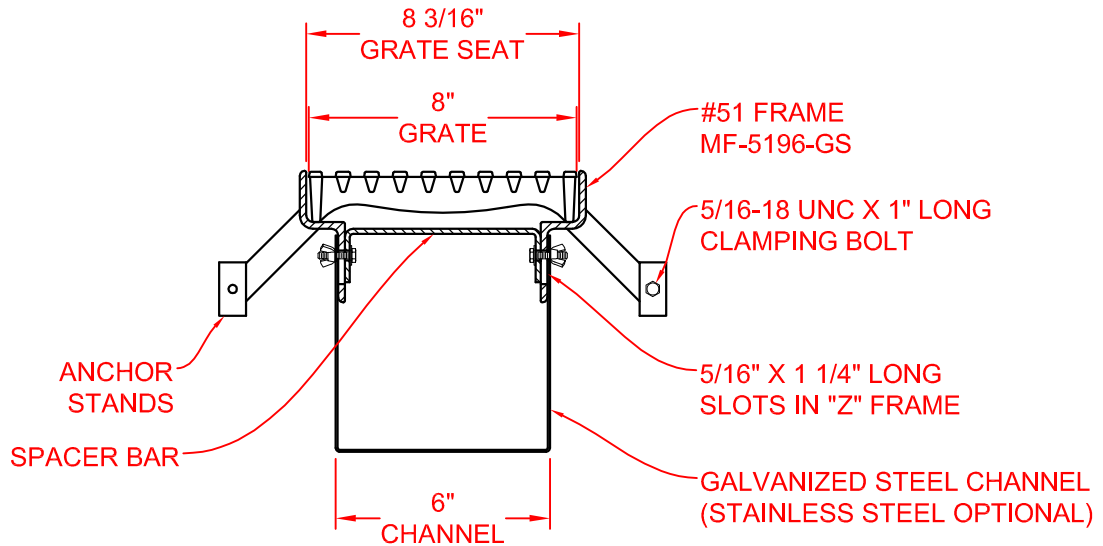


**ELEVATION**  
NOT TO SCALE

38.1% OPEN AREA  
36.4 SQUARE INCHES PER  
LINEAR FOOT



DUCTILE IRON GRATE: #EG-0824-1DI-ADA  
ADA COMPLIANT  
AASHTO M306 - H20 & HS25  
(INSTALLED AFTER REMOVAL OF EPS FORM)



**SECTION A-A**  
NOT TO SCALE

Copyright © 2014 MultiDrain Systems, Inc.



1405 INDUSTRIAL DRIVE  
STATESVILLE, NC 28625  
(704) 508-1010  
1-800-433-1119  
www.multidrain.com

**SERIES 600**  
**MULTIDRAIN™ SYSTEM**

PART:  
MD-0696, MF-5196-GS,  
EG-0824-1DI-ADA

FILE NUMBER:

**MD-0696-1DI-ADA-14**

REV: 00

Proprietary rights of MultiDrain Systems, Inc. are included in the information disclosed herein. The recipient, by accepting this document, agrees that neither this document nor the information disclosed herein nor any part thereof shall be copied, reproduced or transferred for manufacturing or for any other purpose except as specifically authorized in writing by MULTIDRAIN.

**DISCLAIMER:** The customer and the customer's architects, engineers, consultants and other professionals are completely responsible for the selection, installation, and maintenance of any product purchased from MultiDrain, and EXCEPT AS EXPRESSLY PROVIDED IN MULTIDRAIN'S STANDARD WARRANTIES, MULTIDRAIN MAKES NO WARRANTY, EXPRESS OR IMPLIED, AS TO THE SUITABILITY, DESIGN, MERCHANTABILITY, OR FITNESS OF THE PRODUCT FOR CUSTOMER'S APPLICATION. Copies of MultiDrain's standard warranties are available upon request.